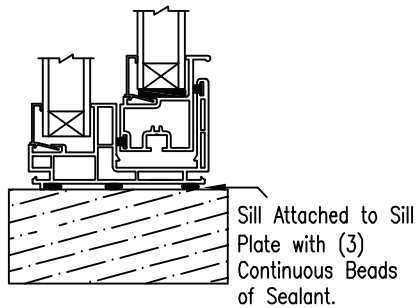
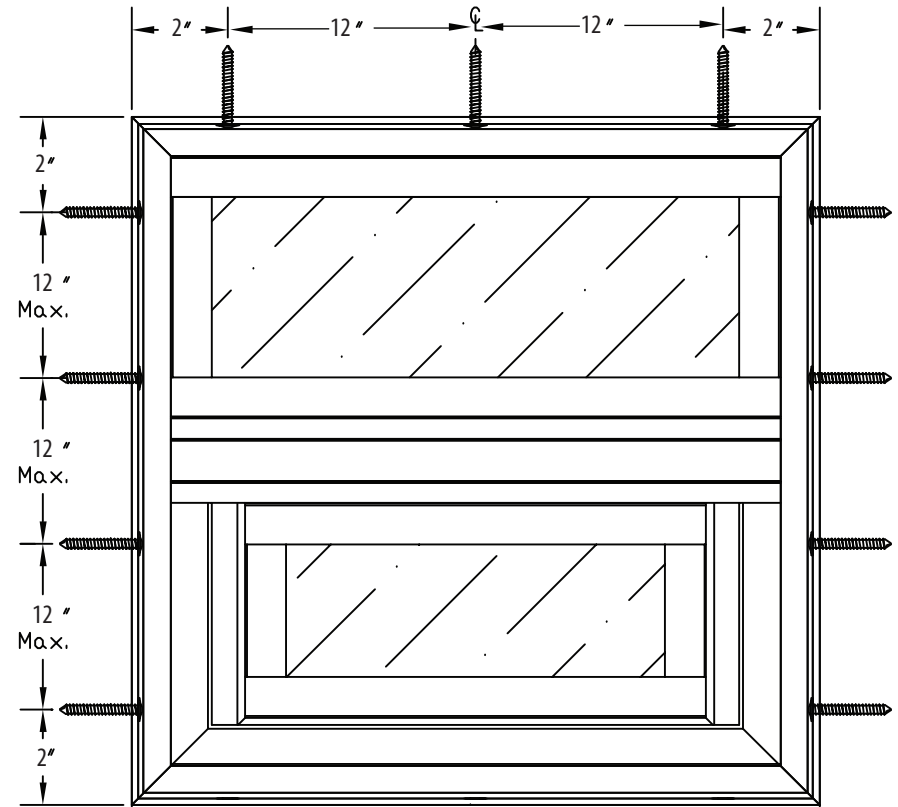
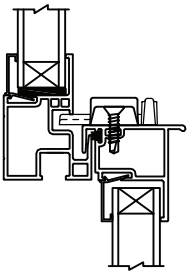


#8 x 1 1/2" Truss Head Screw

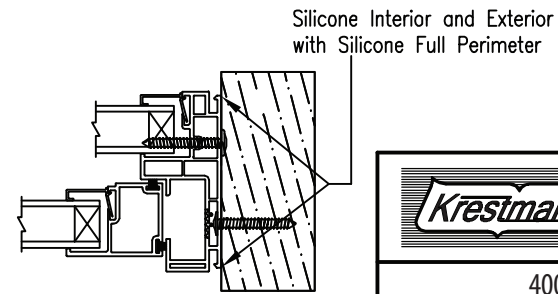
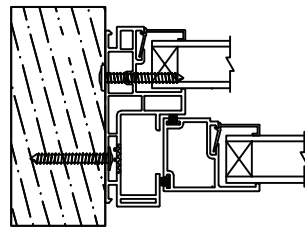
7/16" Clearance Hole at all Fastener Locations

### Finless 4000 Installation Instructions

Remove Nailing Fins. Make Sure that the Sill is Level and that the Jambs are Plumb. Fasten Head to 2 By Frame with #8 x 1 1/2" Truss Head Screws 2" from Each Corner and midpoint with 12" (Max) Between Fasteners. Remove Sash and Balances. Fasten Jambs to 2 by Frame with #8 x 1 1/2" Truss Head Screw 2" from Each Corner with 12" (Max) Between Fasteners. No Screws Through Sill. Use 7/16" Clearance Hole Through First Vinyl Wall at Center Line of Sash Cavity. "See Detail #1"



Sill Attached to Sill Plate with (3) Continuous Beads of Sealant.





Krestmark Ind. L.P.  
3950 Bastille Rd. Suite 100  
Dallas, Texas 75212

4000/4750 Series S. H.  
Finless Installation Instructions