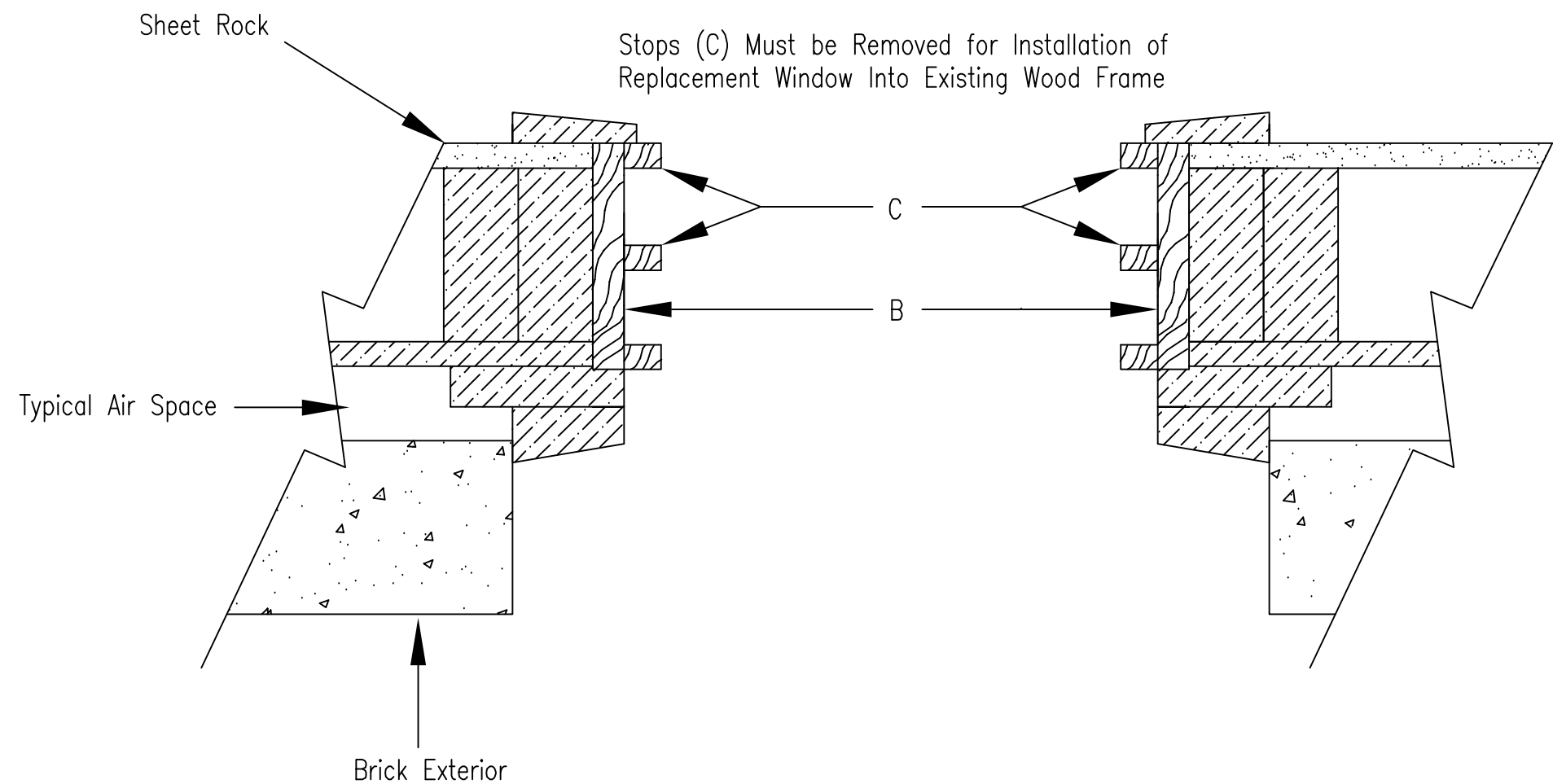


Window height (A) is measured from the bottom lip of the head to highest point on the sloped sill (as shown) Again measure three times, at the middle, left and right sides of the window in case the old jamb is warped. If there are discrepancies between the three measurements, use the narrowest measurement. Your new retrofit window height is dimension "A" minus 1/4 inch.

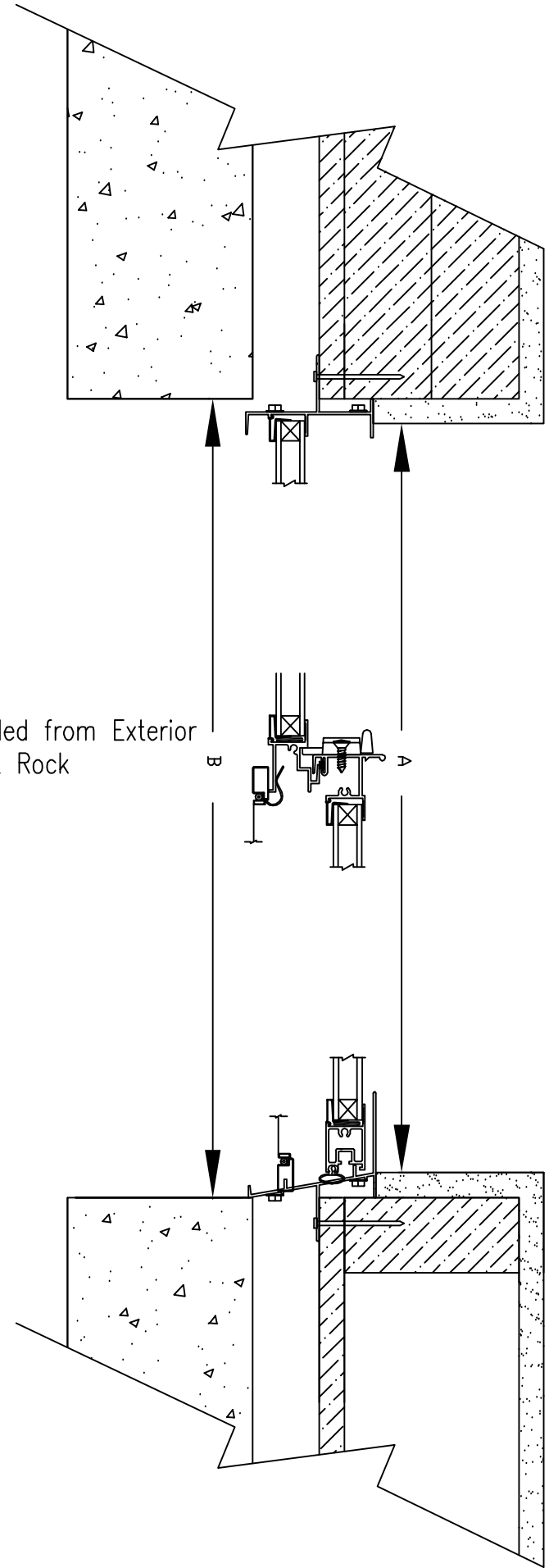
### Measuring Existing Wood Windows

The first thing to do is remove the screen and open the window. Measure the window width from jamb face to jamb face (see "B" in diagram). Measure three times, at the bottom, middle, and top of the window in case the old jamb is warped. If there are discrepancies between the three measurements, use the narrowest measurement. Your new retrofit window width (B) is dimension "B" minus 1/4 inch.



Krestmark Ind. L.P.  
3950 Bastille Rd. Ste. 100  
Dallas, Texas 75212

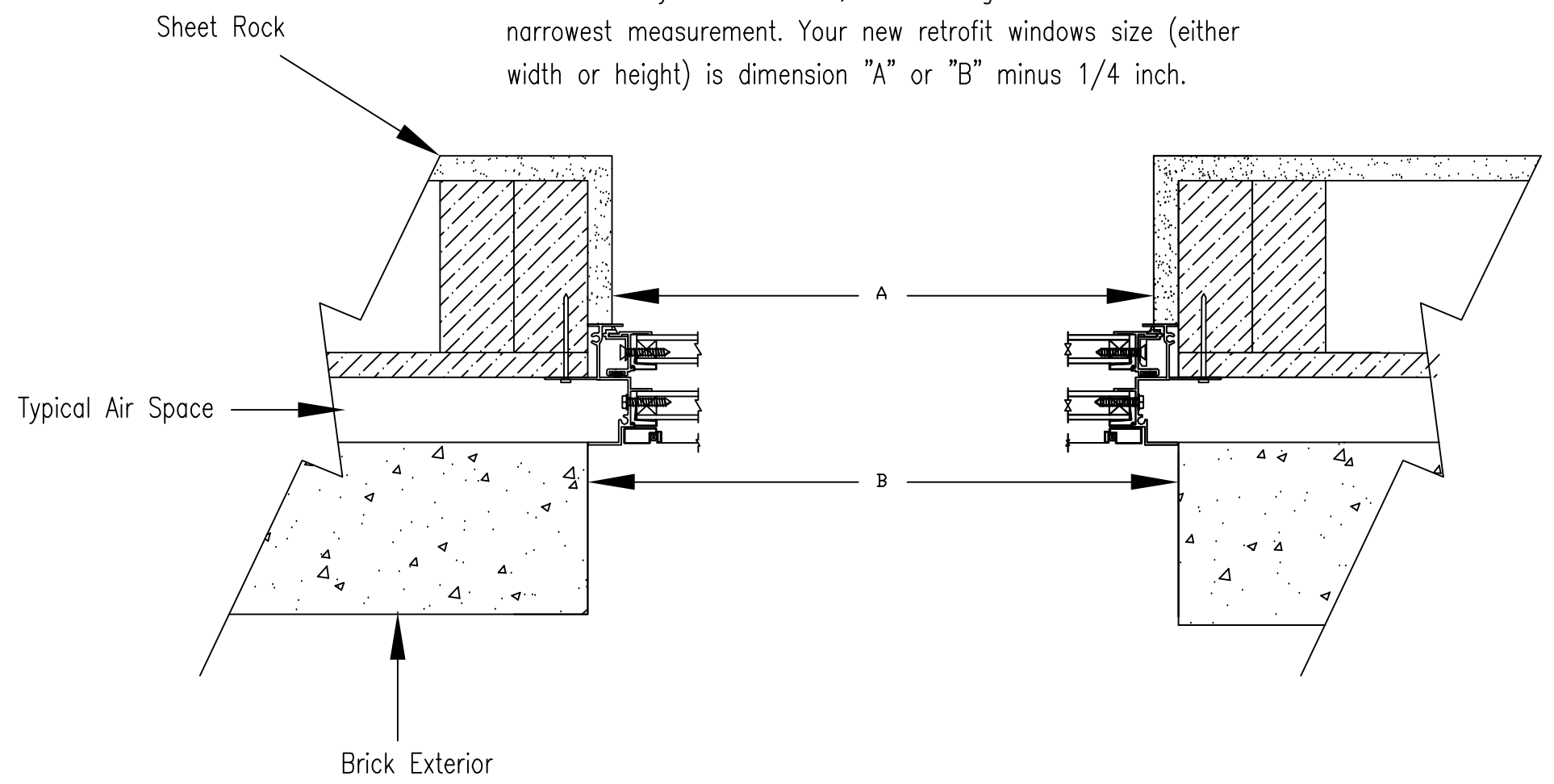
Wood Window  
Measuring Instructions



Window Installed from Exterior Against Sheet Rock

### Measuring Existing Aluminum Windows

The diagram below is of an aluminum frame window. Measure Dimension "A" and "B" to determine which is larger. This will give you the size of the clear opening you will have once you remove the existing window. Measure the widths at the top, middle, and bottom and use the narrowest measurement. Measure the height in the same way in the middle, left and right sides and use the narrowest measurement. Your new retrofit windows size (either width or height) is dimension "A" or "B" minus 1/4 inch.



Krestmark Ind. L.P.  
3950 Bastille Rd. Ste. 100  
Dallas, Texas 75212

Aluminum Window  
Measuring Instructions