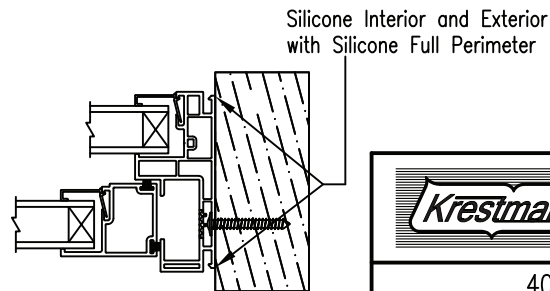
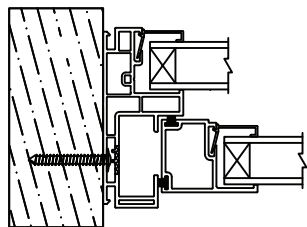
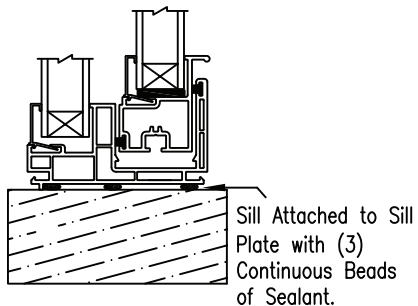
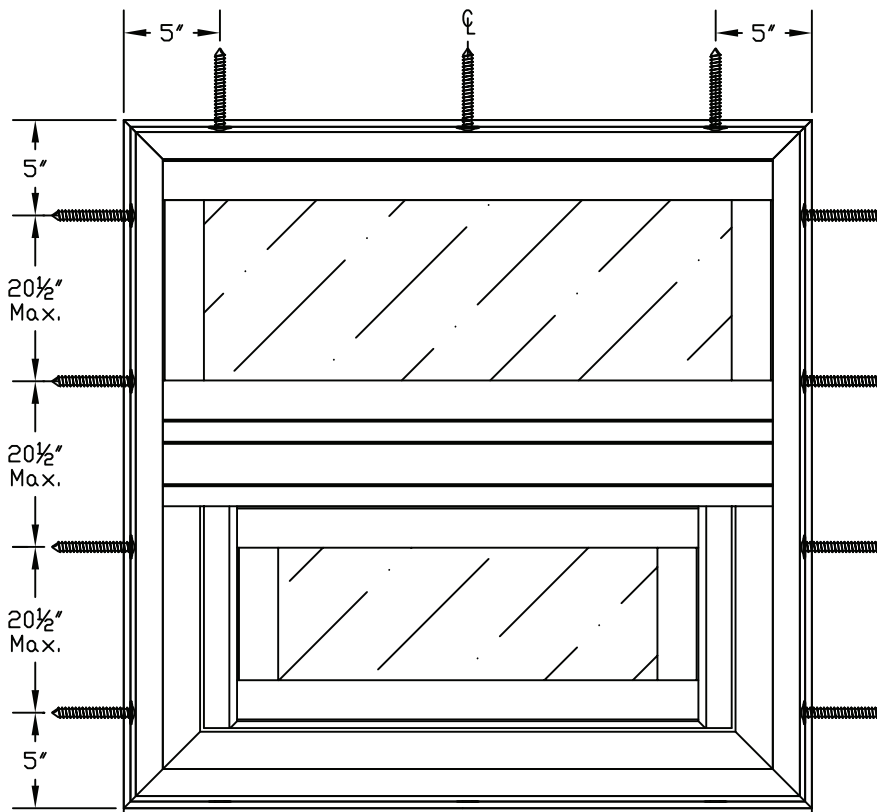
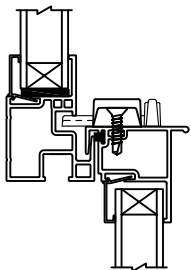


Finless 400/475 Installation Instructions

Remove Nailing Fins. Make Sure that the Sill is Level and that the Jambes are Plumb. Fasten Head to 2 By Frame with #8 x 1/2" Truss Head Screws 5" from Each Corner and midpoint with 20 1/2" (Max) Between Fasteners. Remove Sash and Balances. Fasten Jambes to 2 by Frame with #8 x 1/2" Truss Head Screw 5" from Each Corner with 20 1/2" (Max) Between Fasteners. No Screws Through Sill. Use 1/16" Clearance Hole Through First Vinyl Wall at Center Line of Sash Cavity. "See Detail #1"



Krestmark
 Krestmark Ind. L.P.
 3950 Bastille Rd. Suite 100
 Dallas, Texas 75212

400/475 Series S. H.
 Finless Installation Instructions