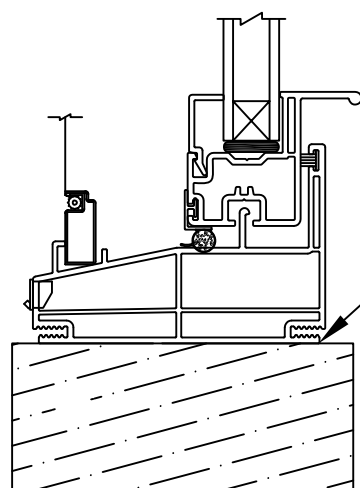
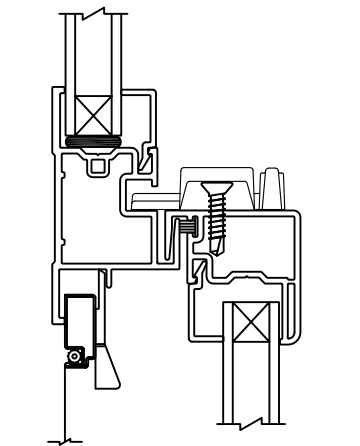
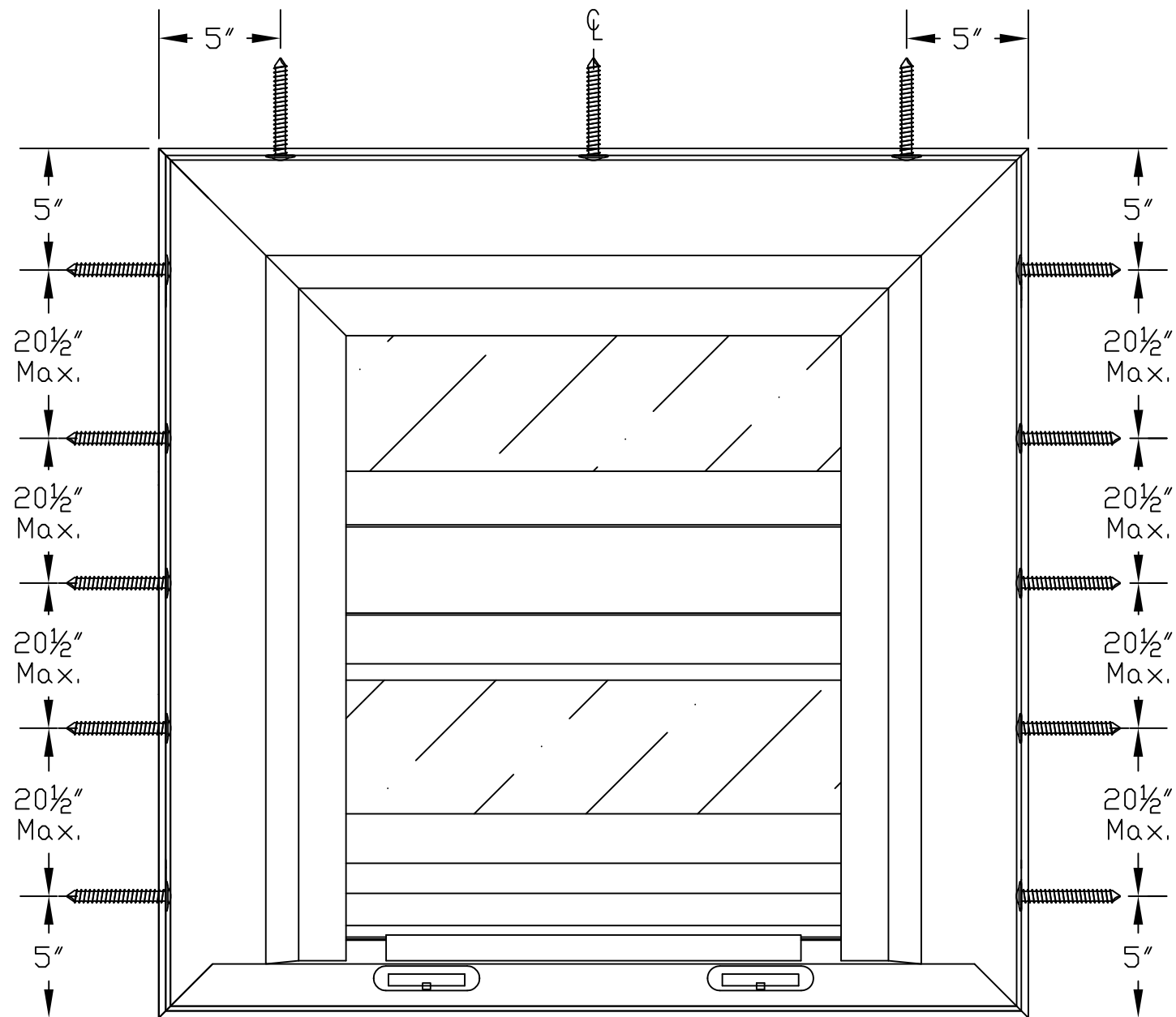
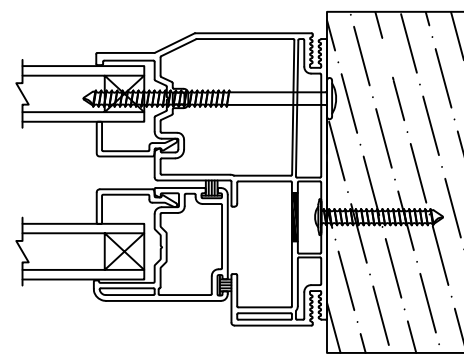
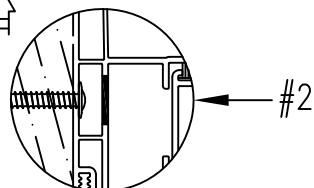
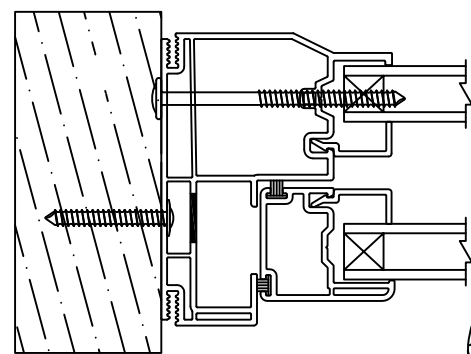


Finless 220 Installation Instructions

Remove Nailing Fins. Make Sure that the Sill is Level and that the Jambs are Plumb. Fasten Head to 2 By Frame with #8 x 1/2" Truss Head Screws 5" from Each Corner and midpoint with 20 1/2" (Max) Between Fasteners. Remove Sash and Balances. Fasten Jambs to 2 by Frame with #8 x 1/2" Truss Head Screw 5" from Each Corner with 20 1/2" (Max) Between Fasteners. No Screws Through Sill. Use 7/16" Clearance Hole at Center Line of Sash Pocket or at Each Fastener Location. (2) Walls at Head, (1) Wall at Jambs. "See Drawing #1 & #2"



Apply Continuous Bead of Silicone Between Frame Sill and Sill Plate



Krestmark Ind. L.P.
3950 Bastille Rd. Suite 100
Dallas, Texas 75212